

SAGE SIG SPECIFICATIONS

INTEGRAL STYLE GENERAL PURPOSE INSERTION MASS FLOWMETER

Flow Meter is thermal dispersion type, utilizing constant temperature difference method of measuring Gas Mass Flow Rate. It contains two reference grade platinum RTD sensors clad in a protective 316 SS sheath. Features direct Mass Flow for gases, wide rangeability, low pressure drop, very low end sensitivity, and no moving parts.

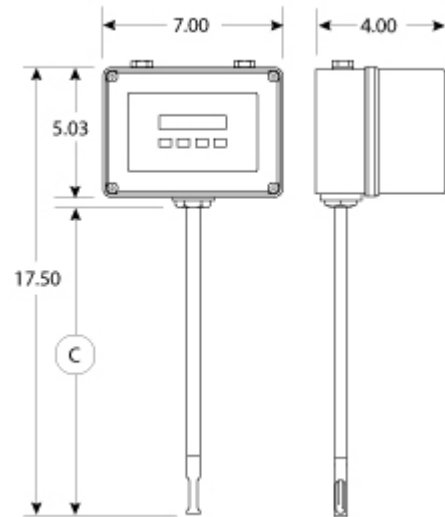
Flow Meter is microprocessor based, does not have any potentiometers, and has RS232 communications with accompanying menu driven software (Sage VIP). Flow Meter is powered by 24 VDC or 115 VAC/ 230 VAC. The power dissipation is under 8 watts (e.g. under 350 ma at 24 VDC).

Electronics is Integral Style, with NEMA 4X Windowed Enclosure, Local Display and Touch Screen Display Keypad. The Display is a back-lit LCD with two lines of information: Mass Flow Rate on top line; and Totalized Flow and Temperature on bottom line. The Touch Screen Keypad has 4-buttons (accessible without needing to remove the cover) and provides a convenient means to interface with an extensive menuing system. The electronics has a 4 to 20 ma output proportional to Mass Flow Rate as well as a 4 to 20 ma output proportional to Temperature. Outputs are opto-isolated. In addition, two dry contact relays are provided that can be configured for pulsed outputs of Totalized Flow, or Trip High, Trip Low, and other functions.

Flow Element is Insertion Style, consisting of a 1/2" OD probe (3/4" optional) with lengths up to 36" long (typically 15" long) suitable for insertion into the center of a process pipe. Mounting hardware choices (such as Isolation Valve Assemblies, Compression Fittings, and Flange Mounts) are optionally available.

Calibration Self Check: Flow Meter has built in diagnostics – the menuing system has provisions to check the sensor's operation by accessing the sensor's output, and comparing it to the original reported "zero flow" value noted on last line of meter's Certificate of Conformance.

Accuracy is +/- 0.5% of Full Scale +/- 1% of Reading with a turn-down of up to 1000 to 1. Repeatability shall be 0.2%. The Flow Meter is Sage Metering, Inc. SIG Series.



Models

Your Pipe Size	Insertion Models ¹	Max Full Scale (SCFM) ^{2, 3}
1"	SIG-05-12	200
1-1/4"	SIG-05-12	300
1-1/2"	SIG-05-12	470
2"	SIG-05-15	820
2-1/2"	SIG-05-15	1000
3"	SIG-05-15	1750
4"	SIG-05-15	3150
6"-14"	SIG-05-18	33,000
16"-24"	SIG-05-24	100,000
26"-36"	SIG-05-30	250,000
>36"	Consult Factory	Consult Factory

1 - "05" refers to probe diameter of 1/2". Optionally, 3/4" probes are available ("07"). The length of probe is typically 15 inches ("15") or 18 inches ("18")

2 - Max Full Scale available for many gases, such as pressurized Air or Nitrogen. Some gases such as Hydrogen may be limited. Contact Sage for details

3 - SCFM = Standard Cubic Feet Per Minute. 1 SCFM = 1.7 NCMH. Sage standard conditions for calibration are 70°F and 29.92" Hg. Note, Max Full Scale is based on a maximum Velocity of 35,000 Standard Feet Per Minute (SFPM)

Specifications

	General
Function	Microprocessor-based Insertion Mass Flow Meters for gases
Flow Element	Constant Temperature Thermal Mass Flow Element consists of two 316 SS clad platinum-wound RTDs
Flow Rate Output Signal	4-20 ma isolated output linearly proportional to mass flow rate or velocity
Temperature Output Signal	4-20mA isolated linear temperature signal from 40°F to 200°F. (i.e. this product has both a flow and temperature output)
Power	24 VDC with current dissipation of less than 350 ma with backlight on (less than 250 ma with backlight off), or 115VAC/230 VAC
Communication	RS232 Communication and Menuing Software (Sage VIP)
Sensor Drive Circuit	Proprietary Sensor Drive Circuit provides enhanced flow signal stability and insensitivity to process temperature changes
Display / Keypad	2 Line 2 x 16 large format back-lit display with standard 4-Button Keypad. Flow Rate (top line), Total and Temperature (bottom line)
Menu Navigation	4-Button Touch Screen Display Keypad and RS232 with navigational software (Sage VIP) standard. Touch Screen Display technology (the cover does not need to be opened to access Menuing System)
Multiple Channel Capability	Up to four totally independent calibrations. Calibrate for four different gases, different sensitivities, and/or different configurations (Channels A–D). Channels can be keypad, laptop or externally selectable (via contact closures)

	Flow Range / Sizes
Units of Measurement	Flow—SCFM, SCFH, SCFD, SCCM, NCMM, NCMH, KG/S, KG/M, KG/H, KG/D, LBS/S, LBS/M, LBS/H, LBS/D, SLPM, SLPH; Temperature—°C and °F; Velocity—SFPM, SFPS, NMPH (other combinations available)
Insertion Meters	Full Scale depends on pipe size. For example up to 1000 SCFM in a 2 1/2" pipe, but up to 100,000 SCFM in a 24" pipe
	Performance
Standard Flow Accuracy	+/-1% of Reading +0.5% of Full Scale
Repeatability	0.2% of Full Scale
Turndown	Up to 1000:1
Calibration	Sage Metering's National Institute of Standards Traceable (NIST) calibration facility
Gas Temperature	Std.: -40°F to 200°F (-40°C to 93°C); HT01: 200°F to 350°F (93°C to 177°C)
Integral Enclosure Temperature	0° to 150°F (-18°C to 65°C). Contact Sage for lower temperature ranges.
Pressure Rating	500 psig (1000 psig optional)
Response Time	1 second (each time constant) for flow change
Relays	Two dry contact Relays suitable for Pulsed Outputs of Totalized Flow or configurable to Trip High or Trip Low
Wetted Parts	316L Stainless Steel for Flow Bodies, Sensor Flow Elements and Flow Conditioners. Hastelloy (recommended for Chlorine Gas) and other materials optional
Limited Warranty	Sage Metering's Series of Thermal Mass Flow Meters are warranted against faulty materials or workmanship for one year from the date of delivery to the buyer. After issuance of a Return Meter Authorization (RMA) by Sage, and upon receipt of the defective meter, Sage will either repair or replace the defective meter at its sole option and at no cost to the purchaser